

LIFTING AND LOWERING UNIT



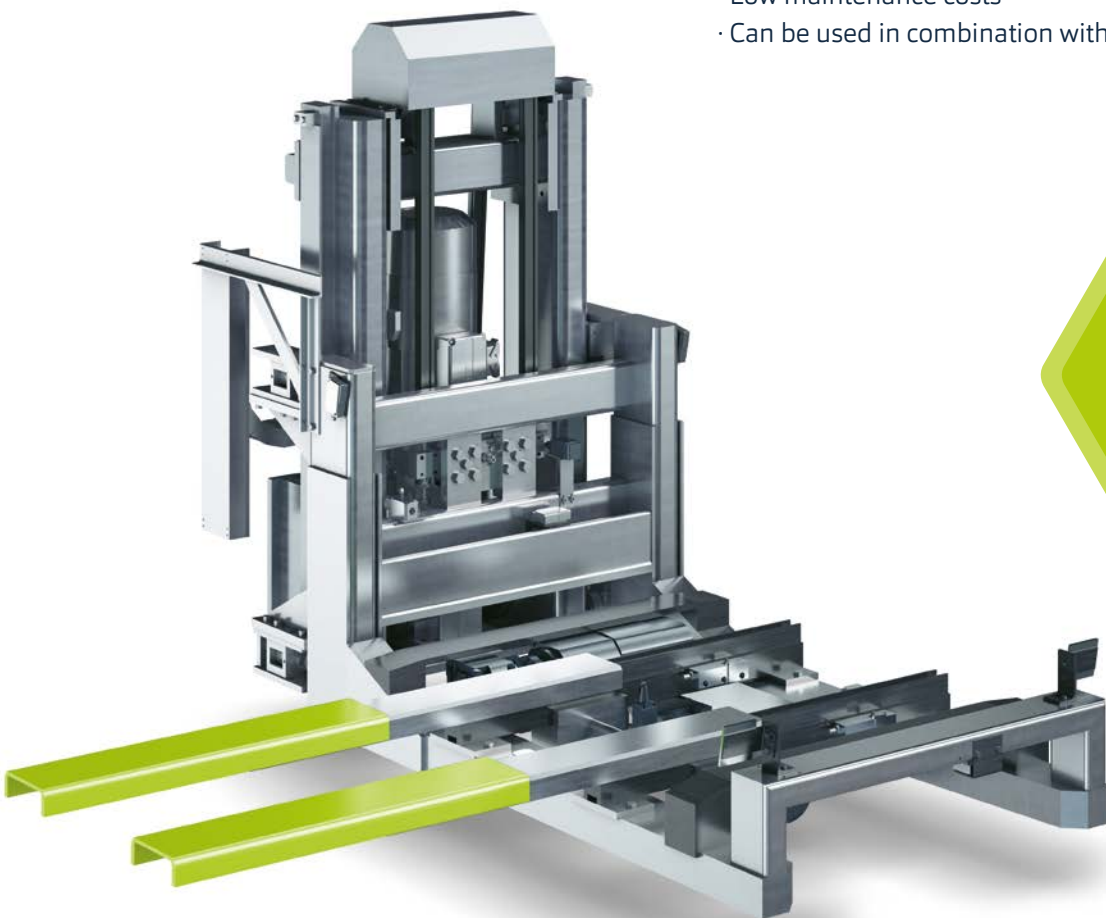
Resilient and precise: AFB's lifting and lowering unit equipped with over 45 years of experience.

PRODUCT FEATURES

- Mast systems for great heights
- Available as chain- or belt-driven unit
- Available with or without counterweight
- Can be used on top of AFB's transfer car

CUSTOMER BENEFITS

- Individually adjustable to different load units and application purposes
- Solid design ensures extreme reliability
- Guaranteed availability of spare parts for the product's entire lifecycle
- Low maintenance costs
- Can be used in combination with other AFB products



QUALITY
MADE IN
GERMANY.